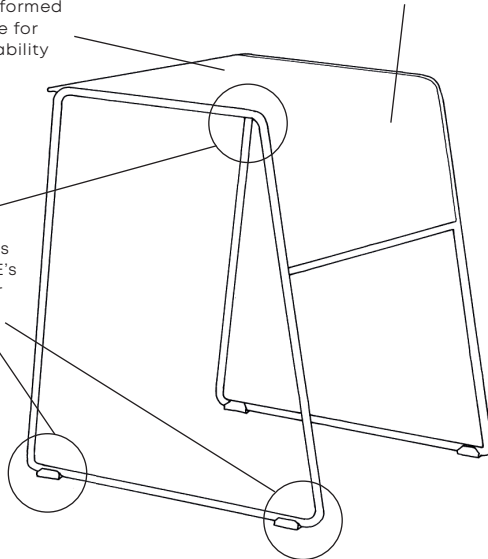


TUTOR®

Available as single and double table

6 mm / 0.24" post-formed compact laminate for strength and durability

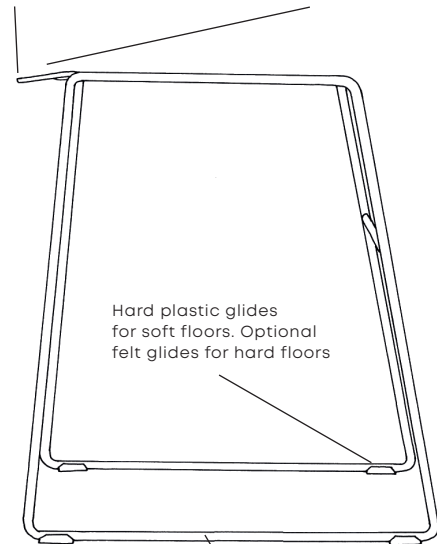
Angles and details identical to HOWE's famous 40/4 chair making them a perfect design combination



Natural black open edge

Waterfall front for comfort

Hard plastic glides for soft floors. Optional felt glides for hard floors



Ø14 mm / Ø0.55" solid steel rod in chrome or powder coating

Tutor is a high density stacking table for use in education and training establishments where flexibility is key and the maximum utilisation of space is of paramount importance. Designed by British designer John Bollen.

Developed as a companion table to the renowned 40/4 stacking chair programme, chair and table provide the ultimate space saving solution for flexible interiors. Elegant, simple and fun, Tutor punches above its weight!

Easy handling, may be stacked and handled by just one person. 30 tables on one dolly.

TESTING AND WARRANTY

- Tutor is designed for severe contract use.
- The table passed testing according to the required EN and BIFMA standards.
- Tutor carries the HOWE 5 year warranty.

